

CBXL-D2W

LINEA D2W
Dim to Warm LED Flex



Project Ref _____

Item Ref _____

CBX-D2W Flex Details

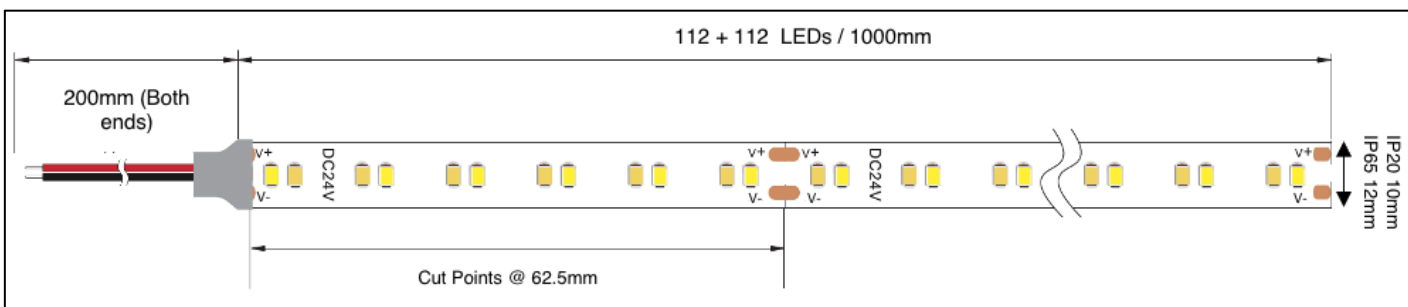
Type	Dimmable 24v LED flexible tape
Fixing	3M Self adhesive backing tape
Warranty	FIVE Years
Class	SELV Class III
CRI	95Ra
Binning	Single Bin LEDs
IP rating	IP20 / IP65
PCB Weight	90g
Reel length	5m
Pre-Wiring	200mm pre-wired cable at each end

Description

- IP20/IP65 Dim to Warm LED Tape
- 3000K dimming to 1800K
- Single Channel Dimming
- 18w / m
- 1460lm / m
- 62.5mm cut points. Wide pitch LEDs

CBXL-D2W LED Flex Specification & Performance

Leds/m	112+112
Lumens/m	1460lm
Power	18w
Cut Point	62.5mm
Beam	120°
Constant Voltage	24v
Life	>50k hrs



Ordering Information

Example: **CBXL-D2W.IP20**

LED Flex	IP Rating	Dimming Options
CBXL-D2W	IP20	Mains Dim / Phase Cut Leading & Trailing Edge
	IP65	DALI (Single Channel)
		Casambi (Low Energy Bluetooth Mesh)

Dimming Options