



Project Ref _____

Delta Recess Tilt PRO12 / D2W / AC7

Item Ref _____

Luminaire Details

Type Fixed Architectural Downlight
 IP Rating IP54 (Bathroom Zones 1&2)
 Warranty FIVE Years
 Class PRO12 / D2W Class III
 AC7 Class II
 Construction CNC Machined Extruded Aluminium
 Finish RAL9010 Fine Texture
 Standard BS EN 60598
 Country of Manufacture: UK

Bezel Temp Compliance

Light Engine Details

Driver
 CCT Range
 Engine Delivered Lumens
 Power (Total Circuit Watts)
 Efficacy Part L1
 Beam Options
 CRI
 Drive Current
 Min FV (Max FV)
 Life-time

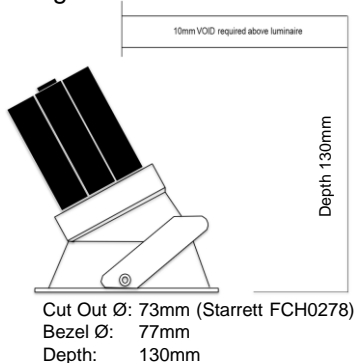
AC7
 Integral
 2700K, 3000K
 4000K
 750lm
 9.5W
 79lm/w
 12°, 24°, 38°
 Ra95
 N/A
 N/A
 >50,000hrs
 tp75° L70B50

PRO12
 Remote
 2700K, 3000K
 4000K
 1200lm
 12.8W
 94lm/w
 12°, 24°, 38°
 Ra95
 350mA
 32.5v (37.6v)
 >50,000hrs
 tp90° L90B50

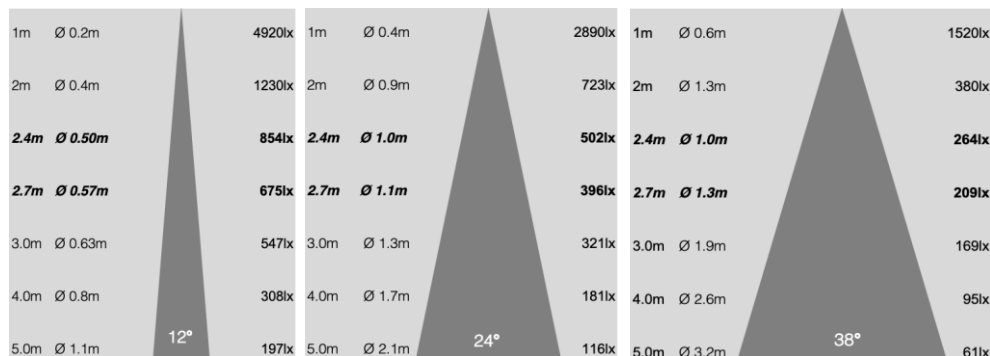
D2W Dim to Warm
 Remote
 100% = 2700K,
 <5% = 1800K
 950lm
 12.4W
 77lm/w
 24°, 40°
 Ra95
 350mA
 37v typ
 >50,000hrs
 tp75° L70B10

Luminaire Dimensions

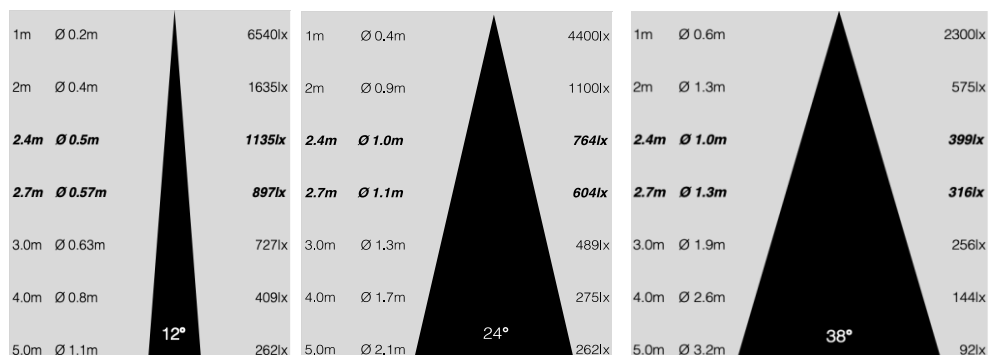
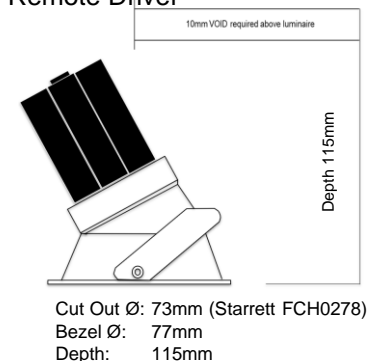
AC7 700lm Light Engine Integral Driver



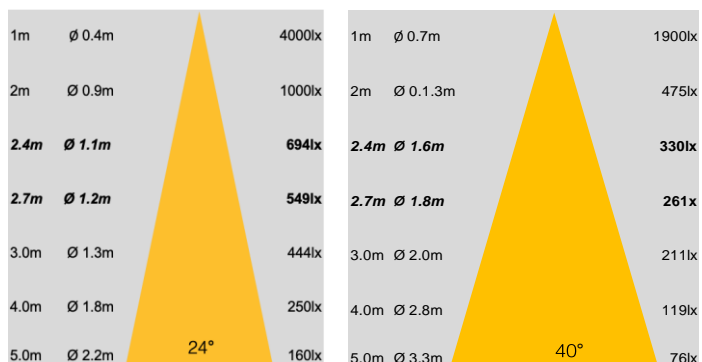
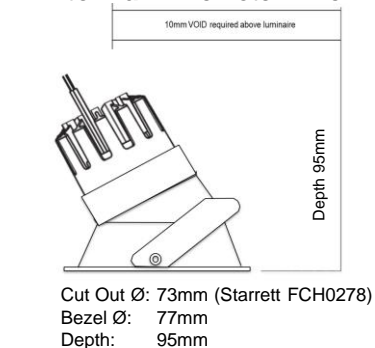
Light Engine Performance



PRO12 1200lm Light Engine Remote Driver



D2W 950lm Light Engine Dim to Warm Remote Driver



Delta Recess Tilt PRO12 / D2W / AC7



Driver Details

	AC7 Integral	PRO12 / D2W OM Osram OTE13	PRO12 / D2W OD Osram OTIDALI15
Power	9.5w	13w	15w
Drive Current	N/A	350mA	150-1050mA Programmed to 350mA
FV	N/A	18-38v	7.5-54v
Power factor	0.9	0.95	0.95
Standards	EN 62031 EN 62471 EN 61547 EN 55015 EN 60598-1 EN 60598-2-2 EN 61000-3-2 EN 61000-3-3	EN 61347 EN 61347-2-13 EN 61547 EN 62384 EN 61000-3-2 EN 61000-3-3 CISPR-15	EN 61347 EN 61347-2-13 EN 62384 EN 61000-3-2 EN 61000-3-3
Ambient Temp Range	-20° - +40°	-20° - +55°	-20° - +55°
Max units per MCB	B10A B16A B20A 60 100 120 C10A C16A C20A 120 200 240	B10A B16A 82 130	B10A B16A 82 130
Dimming			
Protocols Supported	Phase cut. Leading / Trailing edge	Phase cut. Leading / Trailing edge	DALI / Touch DIM
Dimming Range	100% - 1%	100% - 0.1%	100% - 1%
Compatibility			
Lutron	Homeworks QSNE-4A Grafiq Eye QS with ELV Module RA2 Select	Homeworks QSNE-4A / LQSE-4A Grafiq Eye QS with ELV Module RA2 Select	Homeworks LQSE-2DAL-D Grafiq Eye INTEGRALE
CASAMBI	CBU-TED	CBU-TED	CBU-ASD
Rotary Module	Varilight V-Pro	Varilight V-Pro	Jung 240DPE



Ordering Information

Example: **DRT.W.BB/PRO12.38.927/OM/F/CF**

Bezel			Light Engine			Driver		Accessories
Bezel	Bezel Colour	Baffle Colour	Light Engine	Beam Angle	Colour Temperature	Light Engine	Driver	
DRT	W (White*)	BB (Black**)	AC7	12°	927 (2700K)	AC7	N/A Integral Mains Dim Driver	F Fire Rating Collar
	B (Black**)	WB (White*)	PRO12	24°	930 (3000K)			CF Click Flow Connector
	C (Copper)	CB (Copper)		38°	940 (4000K)	PRO12	OM Osram Mains Dim	IP IP65 Upgrade (Fixed only)
	G (Gold)	GB (Gold)				D2W	OD Osram DALI	HNY Honeycomb Louvre
	BZ (Bronze)	BZB (Bronze)	D2W	24°	D2W (2700-1800K)		TD Tridonic DALI	BS Beam Softening Lens
	RAL (RAL)	RALB (RAL)		40°			TC Tridonic Casambi	EMG 3hr Emergency Conversion

* White: RAL9010
** Black RAL9005

Colourbox Studio Ltd

52 St Mary's Road
Faversham
Kent
ME13 8EH



Tel: +44 (0) 1795 505370
Email: info@colourbox.studio

www.colourbox.studio