

Apollo Plaster-in Tilt PRO12 / D2W / AC7



Project Ref _____

Item Ref _____

Luminaire Details

Type Plaster-in Adjustable Architectural Downlight
 IP Rating IP54 (Bathroom Zones 1&2)
 Warranty FIVE Years
 Class PRO12 / D2W Class III
 AC7 Class II
 Construction CNC Machined Extruded Aluminium
 Finish RAL9010 Fine Texture
 Standard BS EN 60598
 Country of Manufacture: UK

Bezel Temp Compliance

Light Engine Details

Driver
 CCT Range

Engine Delivered Lumens
 Power (Total Circuit Watts)
 Efficacy Part L1
 Beam Options
 CRI
 Drive Current
 Min FV (Max FV)
 Life-time

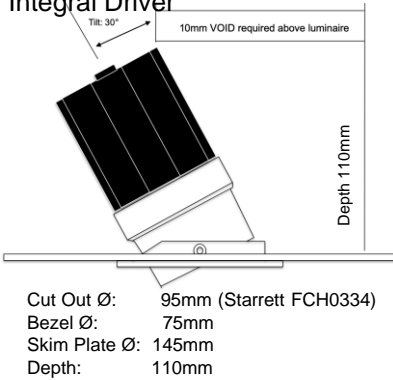
AC7
 Integral
 2700K, 3000K
 4000K
 750lm
 9.5W
 79lm/w
 12°, 24°, 38°
 Ra95
 N/A
 N/A
 >50,000hrs
 tp75° L70B50

PRO12
 Remote
 2700K, 3000K
 4000K
 1200lm
 12.8W
 94lm/w
 12°, 24°, 38°
 Ra95
 350mA
 32.5v (37.6v)
 >50,000hrs
 tp90° L90B50

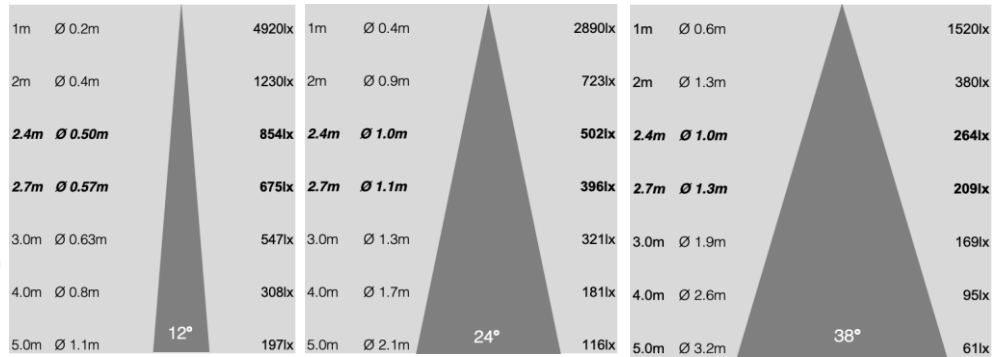
D2W Dim to Warm
 Remote
 100% = 2700K,
 <5% = 1800K
 950lm
 12.4W
 77lm/w
 24°, 40°
 Ra95
 350mA
 37v typ
 >50,000hrs
 tp75° L70B10

Luminaire Dimensions

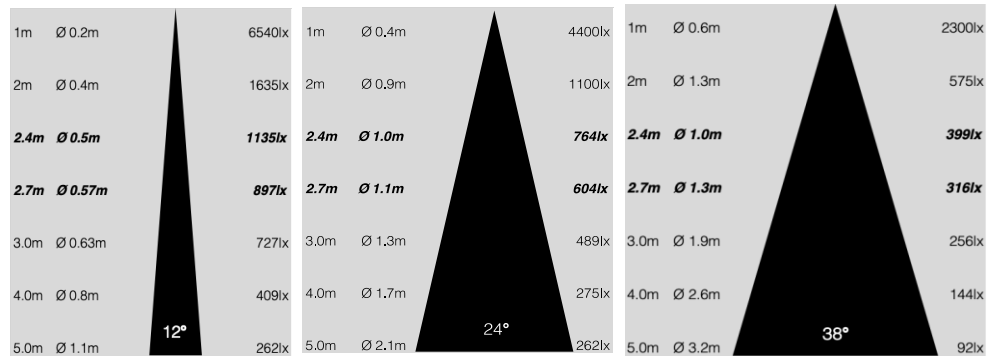
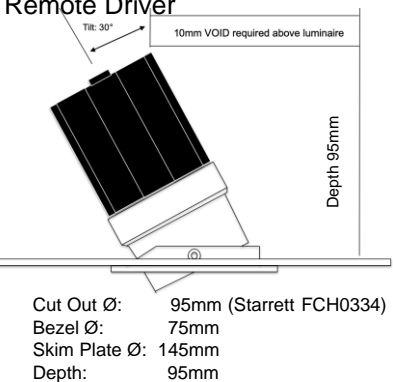
AC7 700lm Light Engine Integral Driver



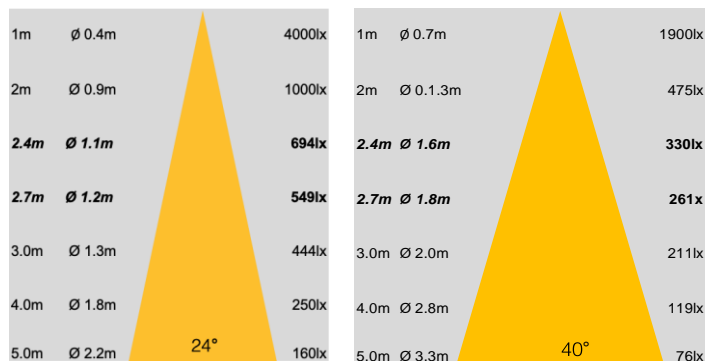
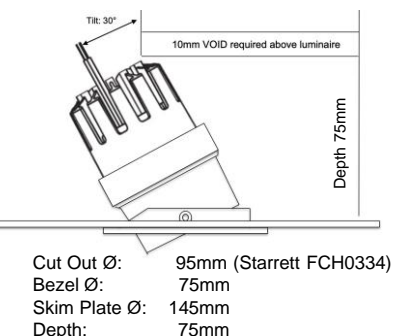
Light Engine Performance



PRO12 1200lm Light Engine Remote Driver



D2W 950lm Light Engine Dim to Warm Remote Driver



Apollo Plaster-in Tilt PRO12 / D2W / AC7



Driver Details

	AC7 Integral	PRO12 / D2W OM Osram OTE13	PRO12 / D2W OD Osram OTIDALI15
Power	9.5w	13w	15w
Drive Current	N/A	350mA	150-1050mA Programmed to 350mA
FV	N/A	18-38v	7.5-54v
Power factor	0.9	0.95	0.95
Standards	EN 62031 EN 62471 EN 61547 EN 55015 EN 60598-1 EN 60598-2-2 EN 61000-3-2 EN 61000-3-3	EN 61347 EN 61347-2-13 EN 61547 EN 62384 EN 61000-3-2 EN 61000-3-3 CISPR-15	EN 61347 EN 61347-2-13 EN 62384 EN 61000-3-2 EN 61000-3-3
Ambient Temp Range	-20° - +40°	-20° - +55°	-20° - +55°
Max units per MCB	B10A B16A B20A 60 100 120 C10A C16A C20A 120 200 240	B10A B16A 82 130	B10A B16A 82 130
Dimming			
Protocols Supported	Phase cut. Leading / Trailing edge	Phase cut. Leading / Trailing edge	DALI / Touch DIM
Dimming Range	100% - 1%	100% - 0.1%	100% - 1%
Compatibility			
Lutron	Homeworks QSNE-4A Grafik Eye QS with ELV Module RA2 Select	Homeworks QSNE-4A / LQSE-4A Grafik Eye QS with ELV Module RA2 Select	Homeworks LQSE-2DAL-D Grafik Eye INTEGRALE
CASAMBI Rotary Module	CBU-TED Varilight V-Pro	CBU-TED Varilight V-Pro	CBU-ASD Jung 240DPE



Ordering Information

Example: **APT.W.BB/PRO12.38.927/OM/F/CF**

Bezel			Light Engine			Driver		Accessories
Bezel	Bezel Colour	Baffle Colour	Light Engine	Beam Angle	Colour Temperature	Light Engine	Driver	
APT	W (White*)	BB (Black**)	AC7	12°	927 (2700K)	AC7	N/A Integral Mains Dim Driver	F Fire Rating Collar
	B (Black**)	WB (White*)	PRO12	24°	930 (3000K)			CF Click Flow Connector
	C (Copper)	CB (Copper)		38°	940 (4000K)	PRO12	OM Osram Mains Dim	IP IP65 Upgrade (Fixed only)
	G (Gold)	GB (Gold)				D2W	OD Osram DALI	HNY Honeycomb Louvre
	BZ (Bronze)	BZB (Bronze)	D2W	24°	D2W (2700-1800K)		TD Tridonic DALI	BS Beam Softening Lens
	RAL (RAL)	RALB (RAL)		40°			TC Tridonic Casambi	EMG 3hr Emergency Conversion

* White: RAL9010

** Black RAL9005

Colourbox Studio Ltd

52 St Mary's Road
Faversham
Kent
ME13 8EH



Tel: +44 (0) 1795 505370
Email: info@colourbox.studio

www.colourbox.studio