

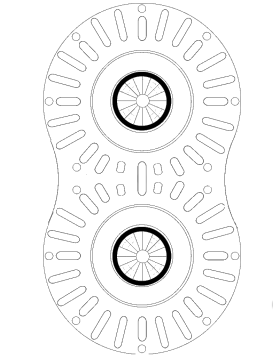
Project Ref:

Item Ref:

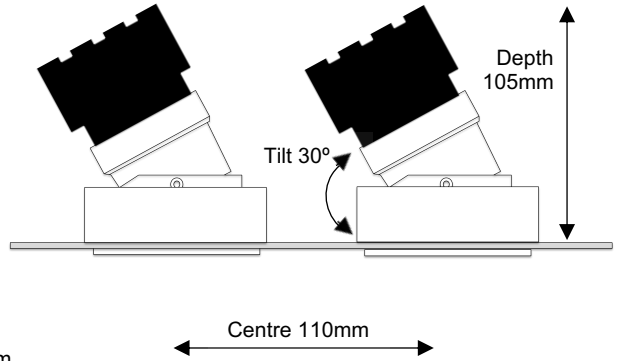
# ATT2 Apollo TrimlessTilt Twin

2x75mm Adjustable Architectural Downlight

Spectrum

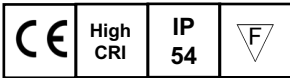


Cut Out: Ø2x95mm  
Visible Diameter: Ø2x75mm



## Luminaire Details

Type	Twin Adjustable Architectural Downlight
Light Source	Spectrum Pure LED Light Engine Spectrum Ambient LED Light Engine
IP Rating	IP54 (Bathroom Zones 1&2)
Fire Rating	Optional with Envirograf accessory see page 2
Warranty	Five Years
Class	SELV Class III
Construction	Machined steel and aluminium
Bezel Finish	White RAL9010 fine texture
Bezel Options	Black, Bronze, Copper RAL finish to order
Baffle Finish	Black RAL9005
Baffle Options	White RAL9010, Bronze, Copper RAL finish to order



## Dimensions

Cut Out	Ø2x95mm
Visible Diameter	Ø2x75mm
Skim Plate Width	145mm
Skim Plate Length	255mm
Hole Saw	Starrett FCH0334
Clearance	10mm above 50mm from edge of cut out

## Installation Notes

Do NOT cover with insulation.  
Plaster-in installation.  
Please ensure installer is familiar with this method.

## Light Engine Details

### Spectrum Pure

LED	Bridgelux Thrive
Power	12.4w
Engine Lumens	1200lm
Colour Temp	2700K 3000K 4000K
Optic	15° 24° 38° 60° Beam
CRI	Ra98 (R9: 99)
Rated Life	tp90° >50,000hrs L90B10

### Spectrum Ambient

LED	Bridgelux Vesta
Power	12.4w
Engine Lumens	1200lm
Colour Temp	Warm Dim 1800-3000K
Optic	15° 24° 38° 60° Beam
CRI	Ra97 (R9: 99)
Rated Life	tp90° >50,000hrs L90B10

## Driver Details

Mains Dim	Osram OTe13 350mA 35v Remote mounted Pre-wired with 0.35m LS0H mains cable
DALI	350mA 35v Remote mounted
Casambi	350mA 35v Remote mounted

NB: To check current dimming compatibility contact us at [info@colourbox.studio](mailto:info@colourbox.studio).

## Colourbox Studio Ltd

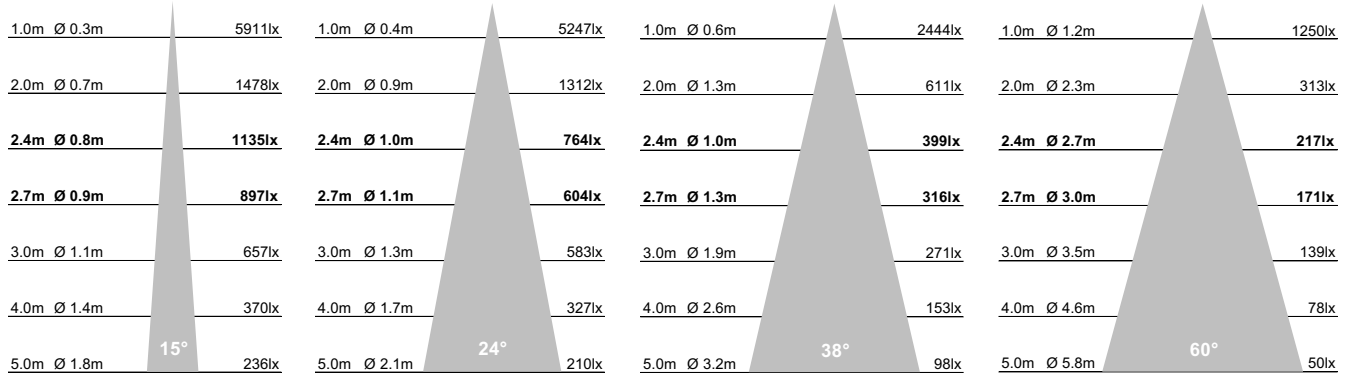
52 St Mary's Road Faversham Kent ME13 8EH  
Tel: 01795 505370 Email: [info@colourbox.studio](mailto:info@colourbox.studio)

# ATT2 Apollo Trimless Tilt Twin

2x75mm Adjustable Architectural Downlight

Spectrum

## Beam Diagrams



## Fire Rating Accessory

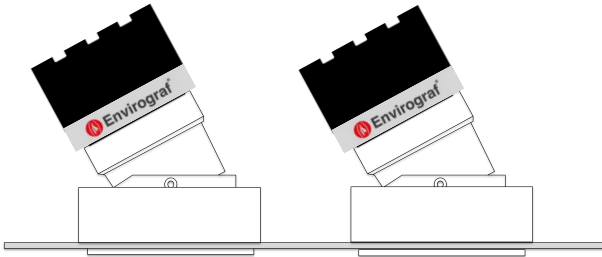
F Fire Collar IDR53117  
 Manufacturer Envirograf  
 Technology Intumescent 60mins  
 Installation Factory fitted. Can be retro-fitted.

## Optical Accessories

HCL Honeycomb Louvre  
 BSL Beam Softening Lens  
 OSL Opal Spreader Lens  
 CWF Colour Warming Filter

## Electrical Accessory

CF Click Flow Plug/Plug Connector



## Product Configurator

Bezel			Light Engine			Driver		Accessories	
Bezel	Bezel Colour	Baffle Colour	Light Engine	Beam	Colour Temperature	OM	Osram Mains Dim	F	Fire Collar
ATT2	W (RAL9010)	BB (RAL9005)	Pure PUR	15°	927 (2700K)	D	DALI	CF	Click Flow Connector
	B (RAL9005)	WB RAL9010	Ambient AMB	24°	930 (3000K)	TC	Tridonic Casambi	HCL	Honeycomb Louvre
	C (Copper)	CB (Copper)		38°	940 (4000K)			BSL	Beam Softening Lens
	BZ (Bronze)	BZB (Bronze)		60°	1830 (1800-3000K)			EMG	3hr Emergency Conversion
	RAL (RAL)	RAL (RAL)							
Example: ATT2.W.BB/			PUR.38.927/			OM/		F/BSL	